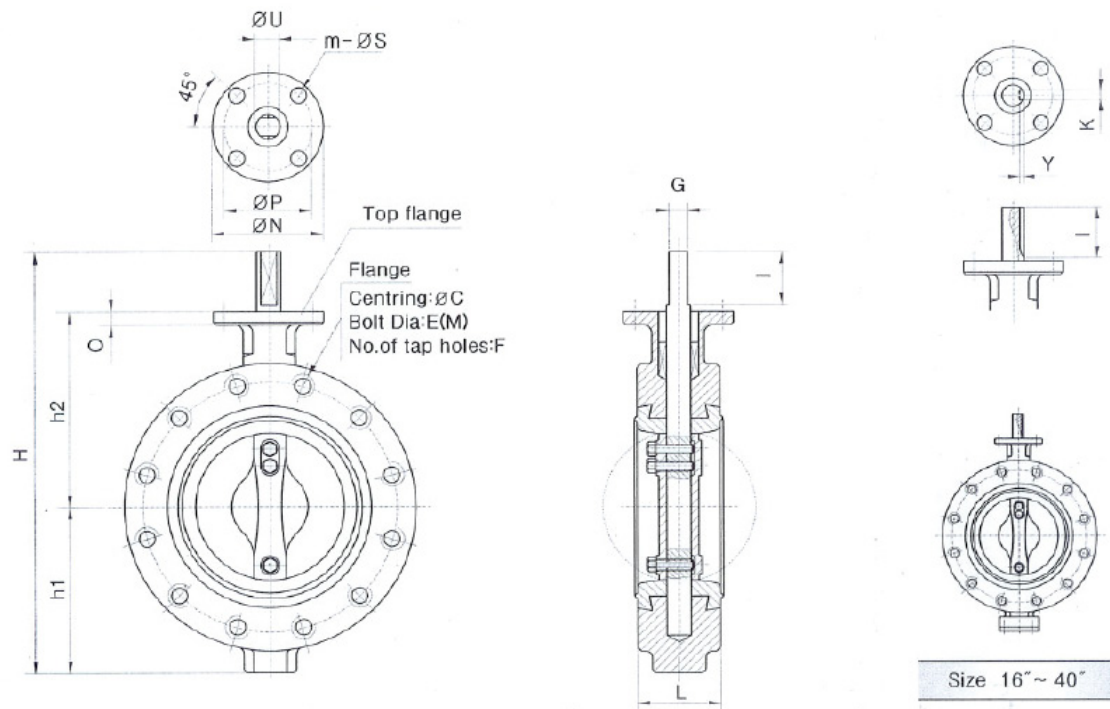




BUTTERFLY VALVE - DOUBLE FLANGE BODY/JIS F7480



VALVE DIMENSIONS

Size		L	H	h1	h2	JIS 5K		JIS 10K	
Inch	mm					PCD ØC	n-M Tap/Hole	PCD ØC	n-M Tap/Hole
2"	50	51.5	41.0	77.5	130	105	4-M12	120	4-M16
2½"	65	65.0	40.0	87.5	140	130	4-M12	140	4-M16
3"	80	79.0	60.0	92.5	150	145	4-M16	150	8-M16
4"	100	99.0	60.0	105	165	165	8-M16	175	8-M16
5"	125	124.0	100.0	130	180	200	8-M16/Ø19	210	8-M20/Ø23
6"	150	148.0	100.0	145	195	230	8-M16/Ø19	240	8-M20/Ø23
8"	200	197.0	100.0	170	230	280	8-M20/Ø23	290	12-M20/Ø23
10"	250	250.0	110.0	210	275	345	12-M20/Ø23	355	12-M22/Ø25
12"	300	298.0	110.0	225	315	390	12-M20/Ø23	400	16-M22/Ø25
14"	350	327.0	120.0	250	330	435	12-M22/Ø25	445	16-M22/Ø25
16"	400	377.0	130.0	300	365	495	16-M22/Ø25	510	16-M24/Ø27
18"	450	429.0	150.0	330	410	555	16-M22/Ø25	565	20-M24/Ø27
20"	500	477.0	160.0	360	460	605	20-M22/Ø25	620	20-M24/Ø27
22"	550	540.0	170.0	395	500	665	20-M24/Ø27	680	20-M30/Ø33
24"	600	560.0	170.0	430	525	715	20-M24/Ø27	730	24-M30/Ø33
26"	650	623.0	170.0	460	550	770	24-M24/Ø27	780	24-M30/Ø33
28"	700	675.0	170.0	490	590	820	24-M24/Ø27	840	24-M30/Ø33
30"	750	727.0	190.0	520	630	880	24-M30/Ø33	900	24-M30/Ø33
32"	800	775.0	200.0	545	655	930	24-M30/Ø33	950	28-M30/Ø33
36"	900	880.0	230.0	610	705	1030	24-M30/Ø33	1050	28-M30/Ø33