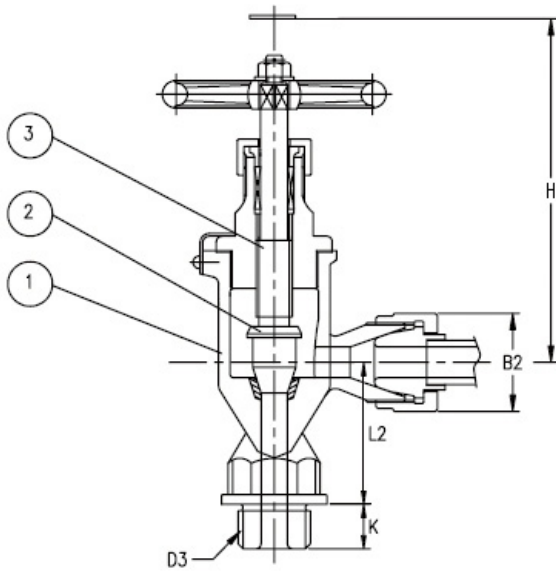


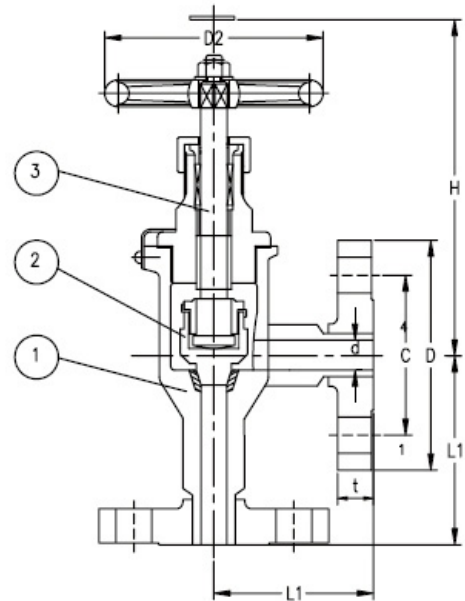


# MARINE FORGED STEEL 20K ANGLE VALVE - JIS F7422 (TYPE S, TYPE F)

Manufactured in accordance to JIS F7400



<Type S>



<Type F>

No.	Component	Material
1	Body	Forged Steel
2	Stem	Stainless Steel
3	Disc	Stainless Steel

	Test Pressure MPa[kgf/cm <sup>2</sup> ]
Body	5.0 [51.0]
Seat	3.67 [37.4]

Type	Type of Connection	Nominal Dia
S	Screw thread type	6 and 10
F	Flange type	15 to 25

Type	Size	L1	L2	L3	K	D	C	n	h	t	H	B2	Kg
Type S	6A	-	38	51	12	-	-	-	-	-	115	30	1.20
	10A	-	45	58	16	-	-	-	-	-	125	41	1.54
Type F	15A	75	-	-	-	95	70	4	15	14	160	-	3.8
	20A	80	-	-	-	100	75	4	15	16	180	-	5.05
	25A	95	-	-	-	125	90	4	19	16	190	-	7.16