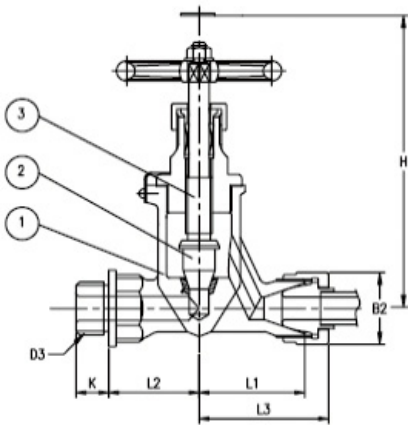


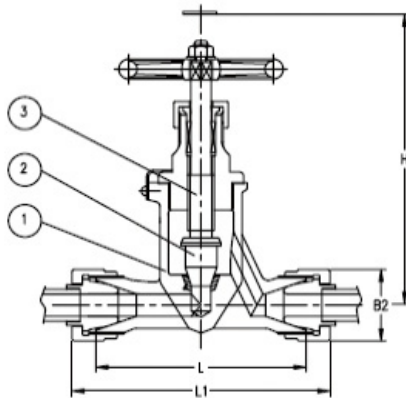


MARINE FORGED STEEL 20K GLOBE VALVE - JIS F7421 (TYPE S, TYPE U, TYPE F)

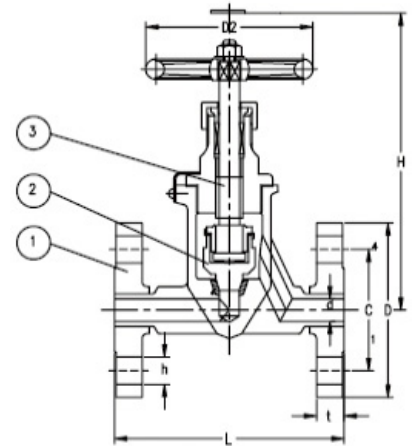
Manufactured in accordance to JIS F7400



<Type S>



<Type U>



<Type F>

No.	Component	Material
1	Body	Forged Steel
2	Stem	Stainless Steel
3	Disc	Stainless Steel

Test Pressure MPa[kgf/cm ²]	
Body	5.0 [51.0]
Seat	3.67 [37.4]

Type	Type of Connection	Nominal Dia
S	Screw thread type	6 and 10
U	Union type	6 and 10
F	Flange type	15 to 25

Type	Size	L	L1	L2	L3	K	D	C	n	h	t	H	B2	Kg
Type S	6A	-	42	38	51	12	-	-	-	-	-	125	30	1.23
	10A	-	51	45	63	16	-	-	-	-	-	140	41	1.59
Type U	6A	84	102	-	-	-	-	-	-	-	-	125	30	1.26
	10A	105	126	-	-	-	-	-	-	-	-	140	41	1.72
Type F	15A	140	-	-	-	-	95	70	4	15	14	180	-	3.90
	20A	160	-	-	-	-	100	75	4	15	16	205	-	5.29
	25A	180	-	-	-	-	125	90	4	19	16	225	-	7.49