

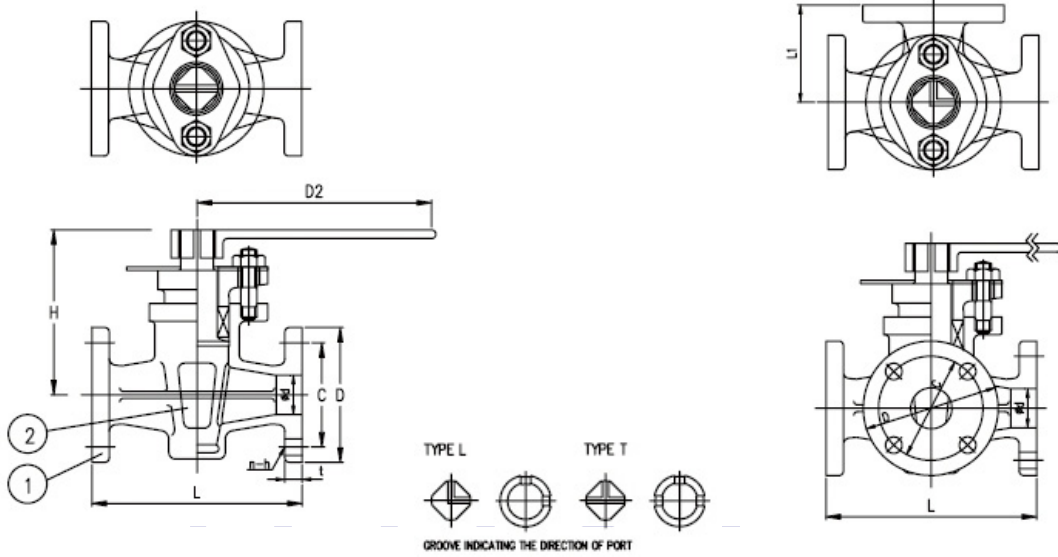


MARINE BRONZE 5K 2-WAY, 3-WAY COCK VALVE - JIS F7381

Manufactured in accordance to JIS F7400
Flanges as per JIS B2220 - 5K

Two-Way Cock

Three-Way Cock



No.	Component	Material
1	Body	Bronze
2	Plug	Bronze

Nominal Pressure		5K
Hydraulic Inspection	Body	7.5kg
	Plug	5.5kg

Type	Size	L	L1	D	C	No.	h	t	H	D2	Weight	
											2-way	3-way
5K	25A	130	65	95	75	4	12	10	105	160	3.13	3.81
	32A	160	80	115	90	4	15	12	125	180	5.02	6.13
	40A	170	85	120	95	4	15	12	135	190	6.66	7.93
	50A	190	95	130	105	4	15	14	163	200	10.0	11.8
	65A	220	110	155	130	4	15	14	201	250	16.7	19.0