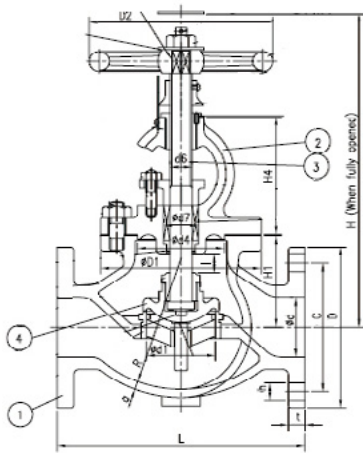




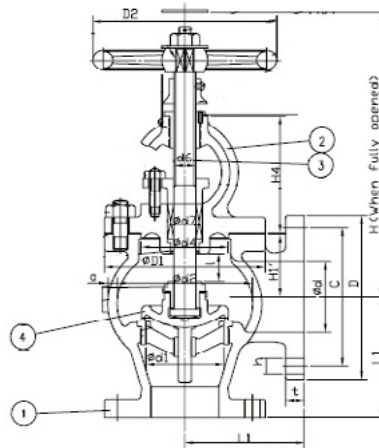
MARINE CAST STEEL HULL GLOBE VALVE - JIS F7365

MARINE CAST STEEL HULL ANGLE VALVE - JIS F7350

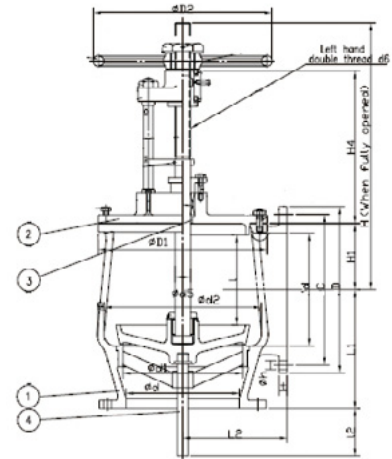
Manufactured in accordance to JIS F7400
Flanges as per JIS B2220



<JIS F7365>



<F7350-dia. 50A to 300A>



<F7350 - dia. 350A to 800A>

Size	F7365 - GLOBE									F7350 - ANGLE								
	L	D	C	No.	h	t	H	D2	Kg	L1	D	C	No.	h	t	H	D2	Kg
50A	220	155	120	4	19	16	295	160	18.1	120	155	120	4	19	16	265	160	16.5
65A	270	175	140	4	19	18	330	200	26.3	130	175	140	4	19	18	290	200	23.3
80A	300	185	150	8	19	18	345	200	30.0	140	185	150	8	19	18	300	200	25.5
100A	350	210	175	8	19	18	395	250	45.1	160	210	175	8	19	18	340	250	37.3
125A	420	250	210	8	23	20	465	280	70.9	180	250	210	8	23	20	400	280	57.7
150A	490	280	240	8	23	22	525	315	97.2	205	280	240	8	23	22	455	315	78.0
200A	570	330	290	12	23	22	640	355	160	230	330	290	12	23	22	555	355	117
250A	740	400	355	12	25	24	735	400	259	290	400	355	12	25	24	625	400	190
300A	840	445	400	16	25	24	845	450	372	320	445	400	16	25	24	720	450	258

F7350 ANGLE dia. 350A to 800A										
Size	L1	L2	D	C	No.	h	t	H	D2	Kg
350A	360	320	490	445	16	25	26	1010	500	376
400A	400	350	560	510	16	27	28	1130	600	490
450A	450	380	620	565	20	27	30	1250	710	632
500A	500	430	675	620	20	33	30	1380	800	839
550A	550	460	745	680	24	33	32	1505	900	1060
600A	610	500	795	730	24	33	32	1630	900	1270
650A	660	540	845	780	24	33	34	1765	1000	1590
700A	710	570	905	840	24	33	34	1890	1000	1930
750A	760	610	970	900	24	33	36	2005	1250	2300
800A	810	650	1020	950	28	33	36	2115	1250	2720

Nominal dia.	Test Pressure MPa[kgf/cm ²]			
	Watertight inspection for valve seat		Hydraulic inspection for body	
	Class B	Class S	Class B	Class S
200 or less	1.08[11]		1.47[15]	
250 and 300	0.76[7.7]	1.08[11]	1.03[10.5]	1.47[15]
300 more	0.25[2.5]		0.5[5.1]	