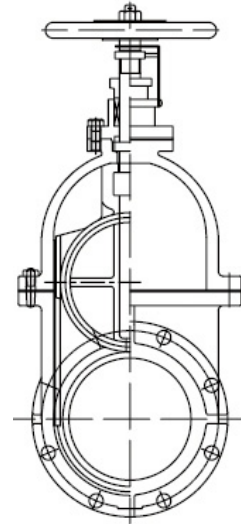
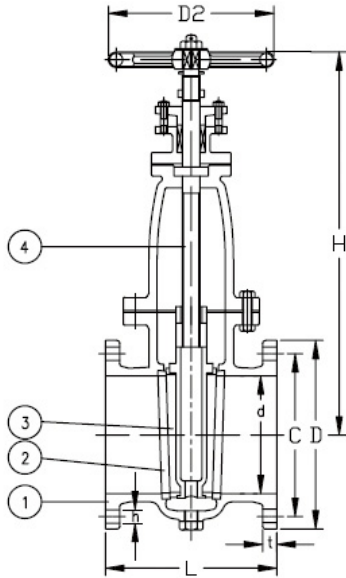




MARINE CAST STEEL 5K GATE VALVE - JIS F7363
MARINE CAST STEEL 10K GATE VALVE - JIS F7366
MARINE CAST STEEL 16K GATE VALVE - JIS F7369



1. F7363, CAST STEEL 5K GATE

Size	L	D	C	No.	h	t	H	D2	Kg
50A	180	130	105	4	15	14	285	125	14.6
65A	190	155	130	4	15	14	330	140	20.6
80A	200	180	145	4	19	14	380	160	26.2
100A	230	200	165	8	19	16	430	180	38.2
125A	250	235	200	8	19	16	495	200	52.1
150A	270	265	230	8	19	18	560	224	70.7
200A	290	320	280	8	23	20	680	280	111.5
250A	330	385	345	12	23	22	900	355	177.6
300A	370	430	390	12	23	22	920	400	255.5
350A	410	480	435	12	25	24	1000	450	382.5
400A	470	540	495	16	25	24	1100	500	438.5

2. F7366, CAST STEEL 10K GATE

Size	L	D	C	No.	h	t	H	D2	Kg
50A	200	155	120	4	19	16	300	140	17.1
65A	220	175	140	4	19	18	350	160	26.5
80A	230	185	150	8	19	18	400	180	31.5
100A	250	210	175	8	19	18	450	200	44.9
125A	270	250	210	8	23	20	520	224	63.2
150A	290	280	240	8	23	22	580	250	82.3
200A	310	330	290	12	23	22	700	315	130
250A	340	400	355	12	25	24	840	400	203
300A	380	445	400	16	25	24	960	450	291
350A	420	490	445	16	25	26	1050	500	368
400A	480	560	510	16	27	28	1150	560	507

3. F7369, CAST STEEL 16K GATE

Size	L	D	C	No.	h	t	H	D2	Kg
50A	210	155	120	8	19	16	300	140	19.8
65A	240	175	140	8	19	18	350	160	28.6
80A	260	200	160	8	23	20	400	180	36.2
100A	290	225	185	8	23	22	450	200	50.6
125A	310	270	225	8	25	22	520	224	71.2
150A	330	305	260	12	25	24	580	250	93.7
200A	370	350	305	12	25	26	700	315	153
250A	430	430	380	12	27	28	840	400	251
300A	490	480	430	16	27	30	1010	560	430
350A	540	540	480	16	33	34	1070	560	580
400A	610	605	540	16	33	38	1185	630	780

FLANGE	Nominal Diameter	Test Pressure MPa [kgf/cm ²]	
		Body	Seat
5K	50 to 400	1.03 [10.5]	0.76 [7.7]
10K	50 to 400	2.06 [21]	1.51 [15.4]
16K	50 to 400	2.36 [24.0]	1.73 [17.6]