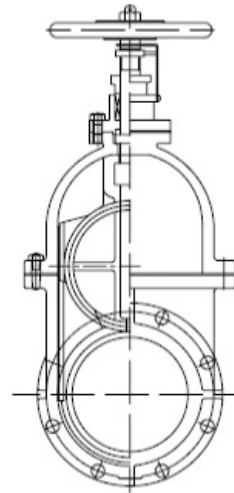
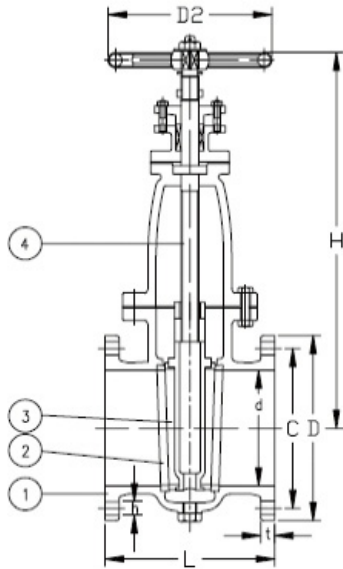




MARINE CAST IRON 5K GATE VALVE - JIS F7363
MARINE CAST IRON 10K GATE VALVE - JIS F7364
MARINE CAST IRON 16K GATE VALVE - JIS F7369



1. F7363, CAST IRON 5K GATE

Size	L	D	C	No.	h	t	H	D2	Kg
50A	180	130	105	4	15	16	285	125	13.5
65A	190	155	130	4	15	18	330	140	19
80A	200	180	145	4	19	18	380	160	24.2
100A	230	200	165	8	19	20	430	180	35.3
125A	250	235	200	8	19	20	495	200	48.1
150A	270	265	230	8	19	22	560	224	65.3
200A	290	320	280	8	23	24	680	280	103
250A	330	385	345	12	23	26	800	355	164
300A	370	430	390	12	23	28	920	400	236
350A	410	480	435	12	25	30	1000	450	307
400A	470	540	495	16	25	30	1100	500	405
450A	500	605	555	16	25	30	1400	560	556
500A	550	655	605	20	25	32	1500	560	700

2. F7364, CAST IRON 10K GATE

Size	L	D	C	No.	h	t	H	D2	Kg
50A	200	155	120	4	19	20	300	140	19.4
65A	220	175	140	4	19	22	350	160	27.6
80A	230	185	150	8	19	22	400	180	33
100A	250	210	175	8	19	24	450	200	45.8
125A	270	250	210	8	23	24	520	224	65.9
150A	290	280	240	8	23	26	580	250	86
200A	320	330	290	12	23	26	700	315	136
250A	380	400	355	12	25	30	840	400	230
300A	440	445	400	16	25	32	960	450	331
350A	500	490	445	16	25	34	1050	500	433
400A	590	560	510	16	27	36	1150	560	597
450A	640	620	565	20	27	38	1260	600	704
500A	710	675	620	20	27	40	1380	680	901

3. F7369, CAST IRON 16K GATE

Size	L	D	C	No.	h	t	H	D2	Kg
50A	210	155	120	8	19	20	300	140	19.8
65A	240	175	140	8	19	22	350	160	28.6
80A	260	200	160	8	23	24	400	180	36.2
100A	290	225	185	8	23	26	450	200	50.6
125A	310	270	225	8	25	26	520	224	71.2
150A	330	305	260	12	25	28	580	250	93.7
200A	370	350	305	12	25	30	700	315	153
250A	430	430	380	12	27	34	845	400	251
300A	490	480	430	16	27	36	1010	560	430
350A	540	540	480	16	33	38	1070	560	580
400A	610	605	540	16	33	42	1185	630	780

FLANGE	Nominal Diameter	Test Pressure MPa [kgf/cm ²]	
		Body	Seat
5K	400 or less	1.03 [10.5]	0.76 [7.7]
	450 to 500	0.74 [7.5]	0.54 [5.5]
10K	400 or less	2.06 [21]	1.57 [15.4]
	450 to 500	1.77 [18]	1.29 [13.2]
16K	50 to 400	2.36 [24.0]	1.73 [17.6]