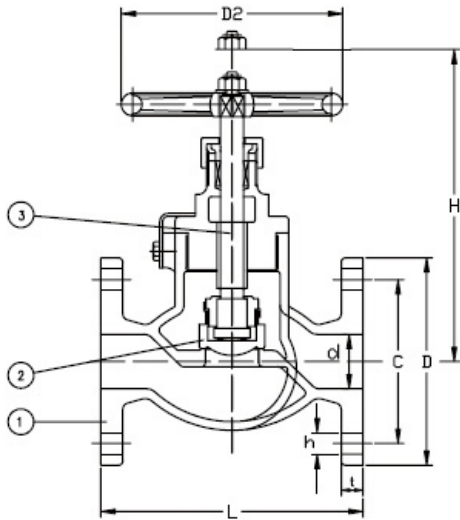


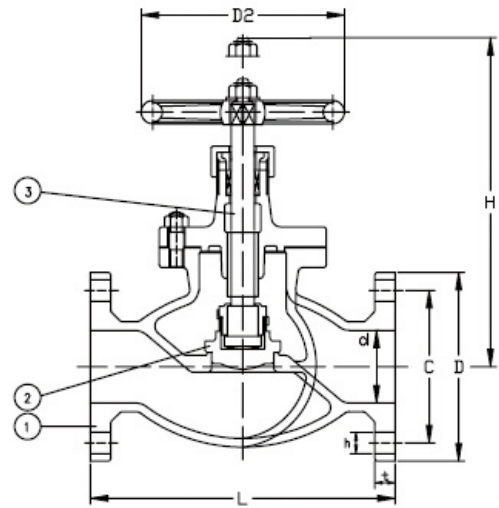


MARINE BRONZE 5K GLOBE VALVE (SDNR)- JIS F7351 MARINE BRONZE 16K GLOBE VALVE (SDNR) - JIS F7409

Manufactured in accordance to JIS F7400
Flanges as per JIS B2220 - 5K or 16K



Screwed Bonnet for sizes 15A-40A



Bolted Bonnet for sizes 50A-65A

No.	Component	Material
1	Body	Bronze
2	Disc	Bronze
3	Stem	Brass

Nominal Pressure		5K	16K
Hydraulic Inspection	Body	10.5kg	33kg
	Seat	7.7kg	24.2kg

Type	Size	L	D	C	No.	h	t	H	D2	Kg
F7351 5K	15A	100	80	60	4	12	9	130	80	1.96
	20A	110	85	65	4	12	10	140	100	2.77
	25A	120	95	75	4	12	10	160	125	3.41
	32A	140	115	90	4	15	12	170	125	4.86
	40A	160	120	95	4	15	12	190	140	6.30
	50A	210	130	105	4	15	14	235	140	11.70
	65A	250	155	130	4	15	14	260	160	17.0
F7409 16K	15A	110	95	70	4	15	12	130	80	2.70
	20A	120	100	75	4	15	14	140	100	3.63
	25A	130	125	90	4	19	14	155	125	5.09
	32A	160	135	100	4	19	16	165	125	6.77
	40A	180	140	105	4	19	16	185	140	8.25