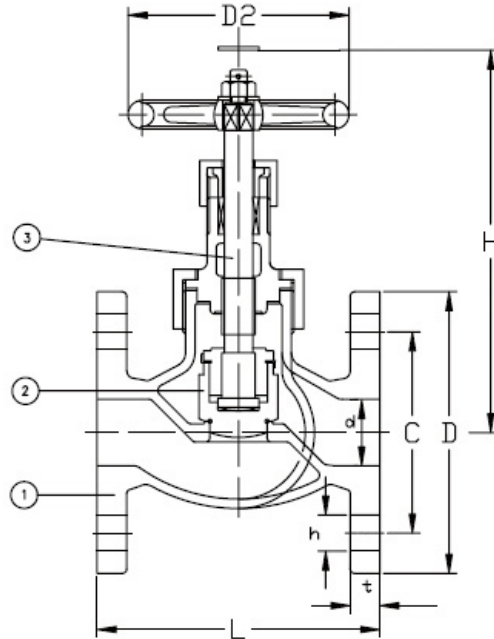




MARINE BRONZE UNION BONNET 5K GLOBE VALVE - JIS F7346
MARINE BRONZE UNION BONNET 16K GLOBE VALVE - JIS F7348

Manufactured in accordance to JIS F7400
 Flanges as per JIS B2220 - 5K or 16K



No.	Component	Material
1	Body	Bronze
2	Disc	Bronze
3	Stem	Brass

Nominal Pressure		5K	16K
Hydraulic Inspection	Body	10.5kg	33kg
	Seat	7.7kg	24.2kg

Type	Size	L	D	C	No.	h	t	H	D2	Kg
F7346 5K	15A	100	80	60	4	12	9	155	80	2.21
	20A	110	85	65	4	12	10	165	100	3.04
	25A	120	95	75	4	12	10	185	125	3.97
	32A	140	115	90	4	15	12	195	125	5.23
	40A	160	120	95	4	15	12	210	140	6.94
F7348 16K	15A	110	95	70	4	15	12	155	80	2.96
	20A	120	100	75	4	15	14	165	100	3.92
	25A	130	125	90	4	19	14	185	125	5.65
	32A	160	135	100	4	19	16	195	125	7.24
	40A	180	140	105	4	19	16	210	140	9.12