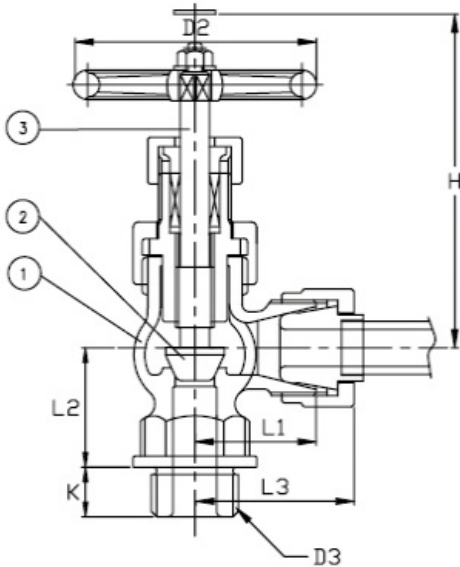




MARINE BRONZE 20K ANGLE VALVE - JIS F7389

Manufactured in accordance to JIS F7400



No.	Component	Material
1	Body	Bronze
2	Disc	Bronze
2	Stem	Bronze

Nominal Dia	Test Pressure	
	Body	Seat
6 and 10	42kg	30.8kg

Size	Pipe Out Dia		L1	L2	L3	D3	K	H	D2	Kg
	Copper	Steel								
6A	8/10	10.5	32	32	41	M20x1.5	12	100	5.5	0.83
10A	15	17.3	39	35	51	M24x2	16	115	7.5	1.19



MARINE BRONZE PRESSURE GAUGE COCK VALVE - JIS F7343

Manufactured in accordance to JIS F7400

No.	Component	Material
1	Body	Bronze
2	Plug	Bronze

Hydraulic Inspection	Test Pressure	
	Body	Plug
	30kg	22kg

