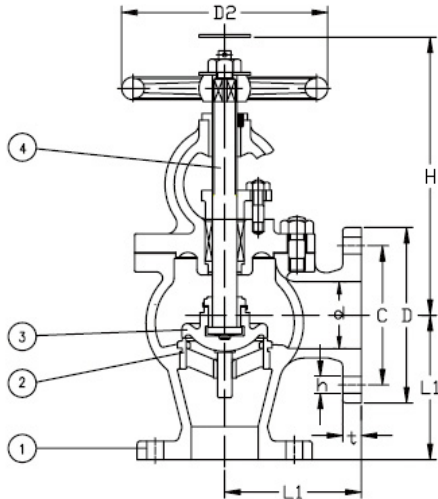


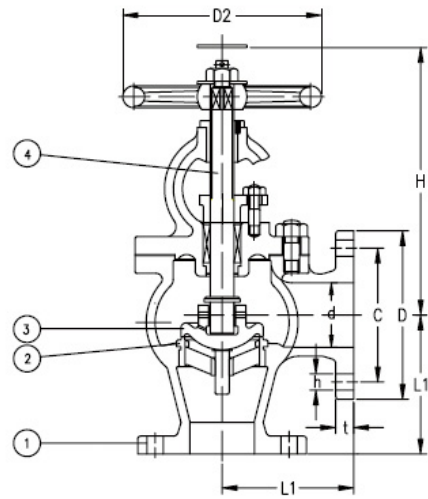


MARINE CAST STEEL 10K ANGLE VALVE - JIS F7320
MARINE CAST STEEL 10K ANGLE VALVE (SDNR) - JIS F7472

Manufactured in accordance to JIS F7400
 Flanges as per JIS B2220 - 10K



<JIS F7320>



<JIS F7472>

No.	Component	Material
1	Body	Cast Steel
2	Seat	Stainless Steel
3	Disc	Stainless Steel
4	Stem	Stainless Steel

	Test Pressure MPa [kgf/cm ²]
Body	2.06 [21.0]
Seat	1.51 [15.4]

Size	F7320									F7472								
	L1	D	C	No.	h	t	H	D2	Kg	L1	D	C	No.	h	t	H	D2	Kg
50A	120	155	120	4	19	16	240	160	16.3	120	155	120	4	19	16	235	160	16.3
65A	130	175	140	4	19	18	260	200	23.0	130	175	140	4	19	18	250	200	23.1
80A	140	185	150	8	19	18	265	200	25.3	140	185	150	8	19	18	255	200	25.3
100A	160	210	175	8	19	18	300	250	37.0	160	210	175	8	19	18	290	250	37.0
125A	180	250	210	8	23	20	350	280	57.1	180	250	210	8	23	20	340	280	56.6
150A	205	280	240	8	23	22	400	315	77.2	205	280	240	8	23	22	385	315	77.1
200A	230	330	290	12	23	22	480	355	116	230	330	290	12	23	22	460	355	116
250A	290	400	355	12	25	24	535	400	188	290	400	355	12	25	24	535	400	188
300A	320	445	400	16	25	24	610	450	256	320	445	400	16	25	24	610	450	256