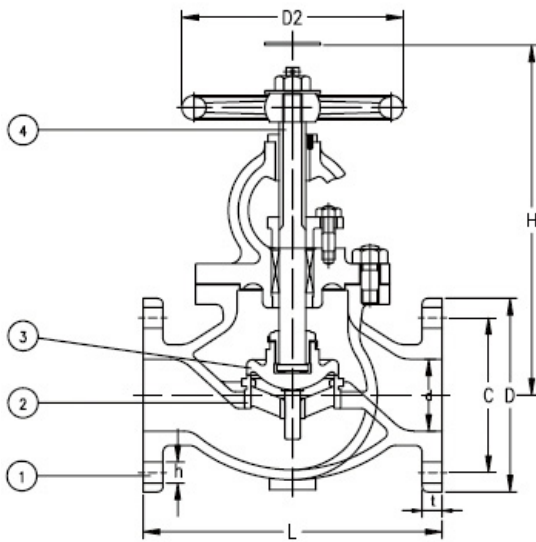


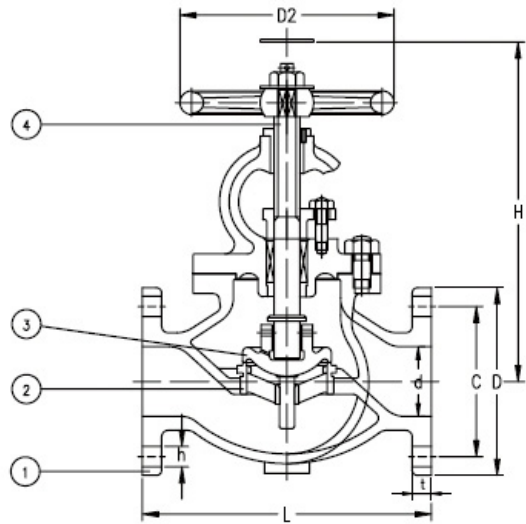


MARINE CAST STEEL 20K GLOBE VALVE - JIS F7313
MARINE CAST STEEL 20K GLOBE VALVE (SDNR) - JIS F7473

Manufactured in accordance to JIS F7400
 Flanges as per JIS B2220 - 20K



<JIS F7313>



<JIS F7473>

No.	Component	Material
1	Body	Cast Steel
2	Seat	Stainless Steel
3	Disc	Stainless Steel
4	Stem	Stainless Steel

	Test Pressure MPa [kgf/cm ²]
Body	5.00 [51.0]
Seat	3.67 [37.4]

Size	F7313										F7473									
	L	D	C	No.	h	t	H	D2	Kg	L	D	C	No.	h	t	H	D2	Kg		
32A	190	135	100	4	19	18	270	160	14.4	190	135	100	4	19	18	265	160	14.4		
40A	200	140	105	4	19	18	290	160	16.0	200	140	105	4	19	18	280	160	16.0		
50A	230	155	120	8	19	18	305	200	21.6	230	155	120	8	19	18	295	200	21.6		
65A	270	175	140	8	19	20	345	224	30.4	270	175	140	8	19	20	330	224	30.1		
80A	300	200	160	8	23	22	385	250	43.5	300	200	160	8	23	22	370	250	43.5		
100A	350	225	185	8	23	24	440	280	62.3	350	225	185	8	23	24	420	280	62.1		
125A	430	270	225	8	25	26	500	315	95.7	430	270	225	8	25	26	475	315	97		
150A	500	305	260	12	25	28	550	355	133.3	500	305	260	12	25	28	525	355	136		
200A	560	350	305	12	25	30	630	450	296.1	560	350	305	12	25	30	605	450	212		
250A	660	430	380	12	27	34	725	560	339.1	660	430	380	12	27	34	700	560	349		