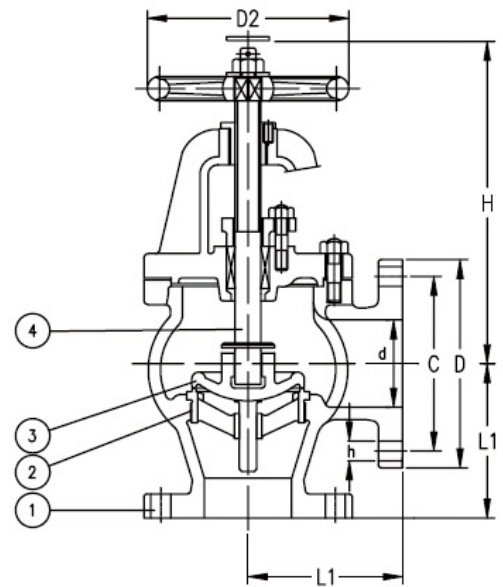
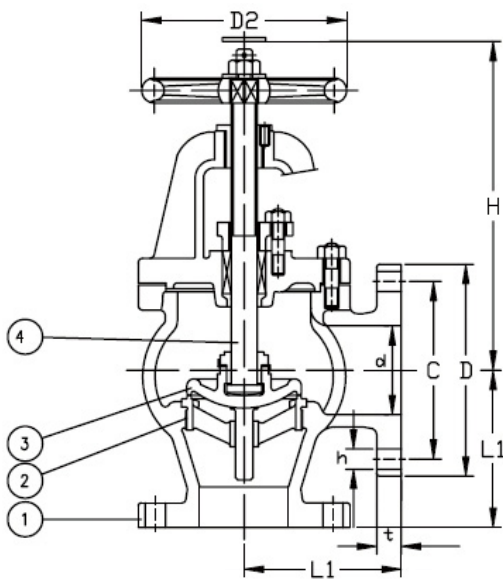




MARINE CAST IRON 16K ANGLE VALVE - JIS F7310
MARINE CAST IRON 16K ANGLE VALVE (SDNR) - JIS F7378

Manufactured in accordance to JIS F7400
 Flanges as per JIS B2220 - 16K



No.	Component	Material
1	Body	Cast Iron
2	Seat	Bronze
3	Disc	Bronze
4	Stem	Brass

Nominal Diameter	Test Pressure MPa [kgf/cm ²]	
	Body	Seat
50 to 200	3.24 [33]	2.38 [24.2]

Size	F7310									F7378								
	L1	D	C	No.	h	t	H	D2	Kg	L1	D	C	No.	h	t	H	D2	Kg
50A	120	155	120	8	19	20	255	160	18	120	155	120	8	19	20	255	160	18
65A	130	175	140	8	19	22	270	200	25	130	175	140	8	19	22	260	200	24.9
80A	150	200	160	8	23	24	295	224	35.7	150	200	160	8	23	24	290	224	35.8
100A	170	225	185	8	23	26	330	250	49.2	170	225	185	8	23	26	320	250	49.2
125A	200	270	225	8	25	26	390	315	76.1	200	270	225	8	25	26	375	315	76.1
150A	225	305	260	12	25	28	435	355	103	225	305	260	12	25	28	425	355	103
200A	250	350	305	12	25	30	540	450	155	-	-	-	-	-	-	-	-	-