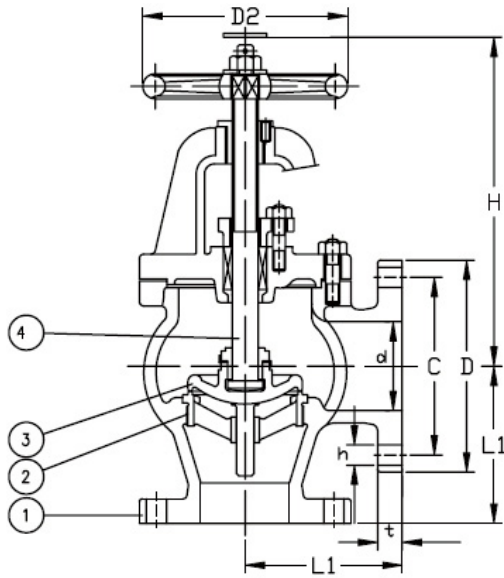




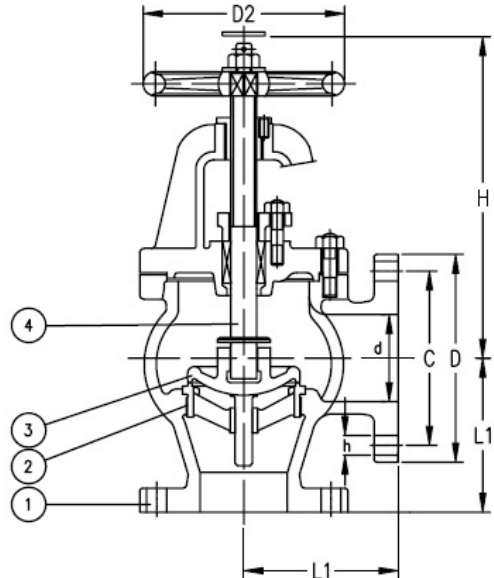
MARINE CAST IRON 10K ANGLE VALVE - JIS F7308

MARINE CAST IRON 10K ANGLE VALVE (SDNR) - JIS F7376

Manufactured in accordance to JIS F7400
Flanges as per JIS B2220 - 10K



<JIS F7308>



<JIS F7376>

No.	Component	Material
1	Body	Cast Iron
2	Seat	Bronze
3	Disc	Bronze
4	Stem	Brass

Nominal Diameter	Test Pressure MPa [kgf/cm ²]	
	Body	Seat
200 or less	2.06 [21]	1.51 [15.4]
250 or more	1.47 [15]	1.08 [11]

Size	F7308									F7376								
	L1	D	C	No.	h	t	H	D2	Kg	L1	D	C	No.	h	t	H	D2	Kg
50A	120	155	120	4	19	20	255	160	18.2	120	155	120	4	19	20	255	160	18.2
65A	130	175	140	4	19	22	270	200	25.4	130	175	140	4	19	22	260	200	25.3
80A	140	185	150	8	19	22	275	200	27.4	140	185	150	8	19	22	270	200	27.5
100A	160	210	175	8	19	24	315	250	40.6	160	210	175	8	19	24	305	250	40.6
125A	180	250	210	8	23	24	360	280	69.9	180	250	210	8	23	24	350	280	69.8
150A	205	280	240	8	23	26	405	315	81	205	280	240	8	23	26	390	315	81.2
200A	230	330	290	12	23	26	475	355	125	230	330	290	12	23	26	450	355	124
250A	290	400	355	12	25	30	570	450	211	-	-	-	-	-	-	-	-	-
300A	320	445	400	16	25	32	645	500	293	-	-	-	-	-	-	-	-	-
350A	360	490	445	16	25	34	710	560	386	-	-	-	-	-	-	-	-	-
400A	420	560	510	16	27	36	790	630	544	-	-	-	-	-	-	-	-	-