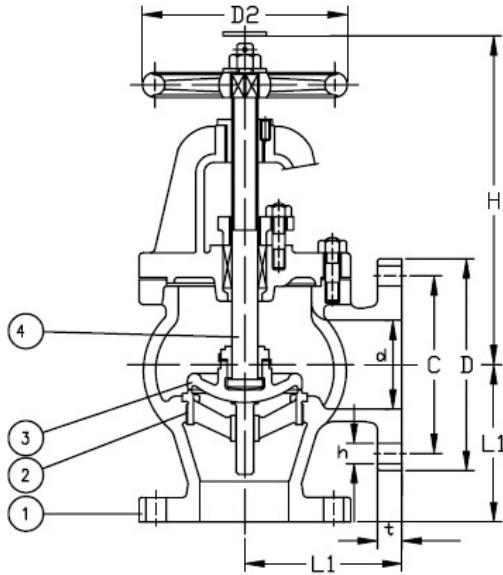


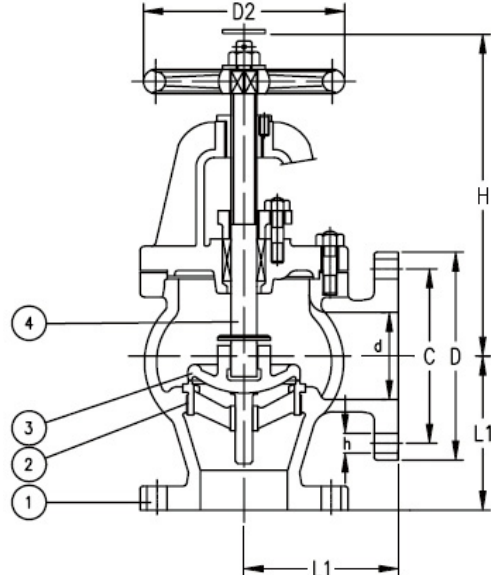


MARINE CAST IRON 5K ANGLE VALVE - JIS F7306
MARINE CAST IRON 5K ANGLE VALVE (SDNR) - JIS F7354

Manufactured in accordance to JIS F7400
 Flanges as per JIS B2220 - 5K



<JIS F7306>



<JIS F7354>

No.	Component	Material
1	Body	Cast Iron
2	Seat	Bronze
3	Disc	Bronze
4	Stem	Brass

Nominal Diameter	Test Pressure MPa [kgf/cm ²]	
	Body	Seat
300 or less	1.03 [10.5]	0.76 [7.7]
350 and 400	0.88 [9]	0.65 [6.6]
450 and over	0.74 [7.5]	0.54 [5.5]

Size	F7306									F7354								
	L1	D	C	No.	h	t	H	D2	Kg	L1	D	C	No.	h	t	H	D2	Kg
50A	100	130	105	4	15	16	240	160	12.9	100	130	105	4	15	16	240	160	13
65A	115	155	130	4	15	18	255	180	18.2	115	155	130	4	15	18	245	180	18.2
80A	130	180	145	4	19	18	265	180	23.4	130	180	145	4	19	18	255	180	23.3
100A	150	200	165	8	19	20	310	224	33.7	150	200	165	8	19	20	300	224	33.5
125A	170	235	200	8	19	20	330	250	46.2	170	235	200	8	19	20	320	250	46.5
150A	190	265	230	8	19	22	380	280	63.4	190	265	230	8	19	22	365	280	64
200A	220	320	280	8	23	24	450	315	105	220	320	280	8	23	24	425	315	104
250A	275	385	345	12	23	26	540	355	176	275	385	345	12	23	26	510	355	175
300A	310	430	390	12	23	28	610	400	243	310	430	390	12	23	28	585	400	243
350A	360	480	435	12	25	30	690	500	327	360	480	435	12	25	30	660	500	336
400A	395	540	495	16	25	30	770	630	459	395	540	495	16	25	30	730	630	455
450A	440	605	555	16	25	30	835	630	618	440	605	555	16	25	30	835	630	618
500A	485	655	605	20	25	32	915	710	800	485	655	605	20	25	32	915	710	800