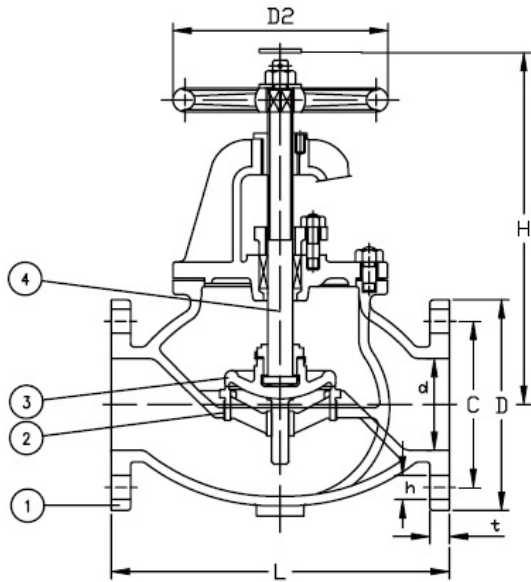




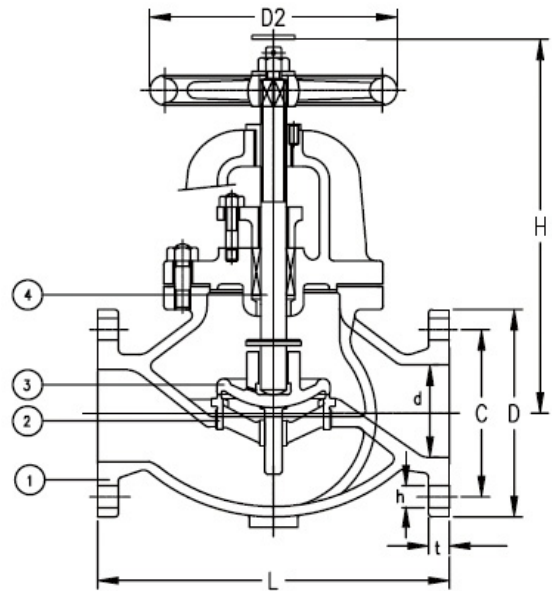
MARINE CAST IRON 5K GLOBE VALVE - JIS F7305

MARINE CAST IRON 5K GLOBE VALVE (SDNR) - JIS F7353

Manufactured in accordance to JIS F7400
Flanges as per JIS B2220 - 5K



<JIS F7305>



<JIS F7353>

No.	Component	Material
1	Body	Cast Iron
2	Seat	Bronze
3	Disc	Bronze
4	Stem	Brass

Nominal Diameter	Test Pressure MPa [kgf/cm ²]	
	Body	Seat
300 or less	1.03 [10.5]	0.76 [7.7]
350 and 400	0.88 [9]	0.65 [6.6]

Size	F7305									F7353								
	L	D	C	No.	h	t	H	D2	Kg	L	D	C	No.	h	t	H	D2	Kg
50A	210	130	105	4	15	16	270	160	14.7	210	130	105	4	15	16	270	160	14.8
65A	250	155	130	4	15	18	300	180	21.3	250	155	130	4	15	18	290	180	21.3
80A	280	180	145	4	19	18	310	180	27.7	280	180	145	4	19	18	300	180	27.6
100A	340	200	165	8	19	20	360	224	40.8	340	200	165	8	19	20	350	224	40.4
125A	410	235	200	8	19	20	390	250	57.6	410	235	200	8	19	20	380	250	57.9
150A	480	265	230	8	19	22	445	280	80.3	480	265	230	8	19	22	430	280	80.9
200A	570	320	280	8	23	24	530	315	139	570	320	280	8	23	24	505	315	139
250A	740	385	345	12	23	26	650	355	246	740	385	345	12	23	26	620	355	243
300A	840	430	390	12	23	28	740	400	377	840	430	390	12	23	28	715	400	377
350A	940	480	435	12	25	30	840	500	462	940	480	435	12	25	30	815	500	463
400A	1050	540	495	16	25	30	940	560	647	1050	540	495	16	25	30	905	560	643