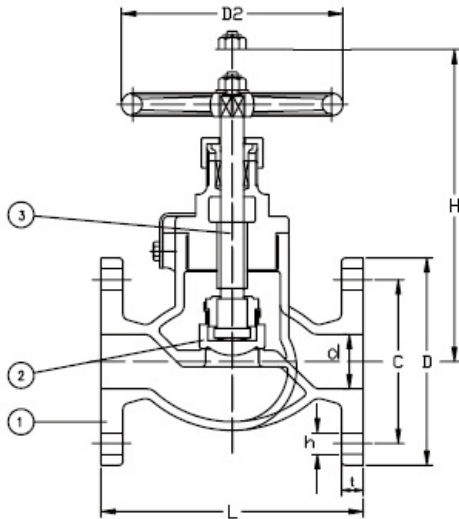




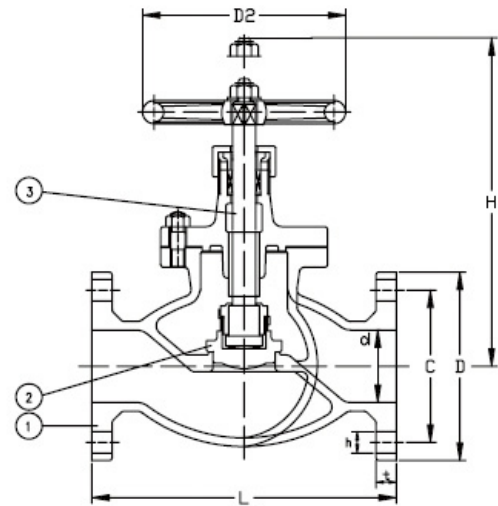
# MARINE BRONZE 5K GLOBE VALVE - JIS F7301

## MARINE BRONZE 16K GLOBE VALVE - JIS F7303

Manufactured in accordance to JIS F7400  
Flanges as per JIS B2220 - 5K or 16K



Screwed Bonnet for sizes 15A-40A



Bolted Bonnet for sizes 50A-65A

No.	Component	Material
1	Body	Bronze
2	Disc	Bronze
3	Stem	Brass

Nominal Pressure		5K	16K
Hydraulic Inspection	Body	10.5kg	33kg
	Seat	7.7kg	24.2kg

Type	Size	L	D	C	No.	h	t	H	D2	Kg
F7301 5K	15A	100	80	60	4	12	9	130	80	2.02
	20A	110	85	65	4	12	10	140	100	2.86
	25A	120	95	75	4	12	10	160	125	3.54
	32A	140	115	90	4	15	12	170	125	5.0
	40A	160	120	95	4	15	12	190	140	6.48
	50A	210	130	105	4	15	14	235	140	11.7
F7303 16K	65A	250	155	130	4	15	14	260	160	17.0
	15A	110	95	70	4	15	12	130	80	2.76
	20A	120	100	75	4	15	14	140	100	3.72
	25A	130	125	90	4	19	14	160	125	5.20
	32A	160	135	100	4	19	16	170	125	6.91
40A	180	140	105	4	19	16	190	140	8.43	