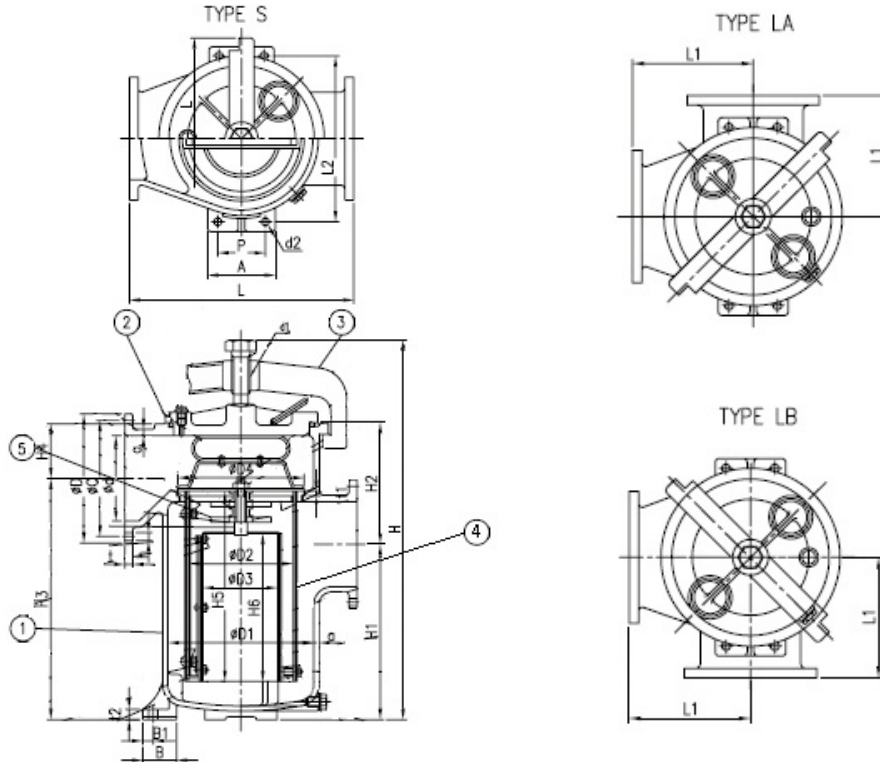




MARINE CAST IRON SIMPLEX OIL STRAINER - JIS F7209 (3) (dia. 125A to 300A)



No.	Component	Material
1	Body	FC200
2	Cover	FC200
3	Yoke	SS41 or FCD45
4	Filter cylinder	SS41
5	Magnet	Magnet steel

Nominal dia.	Test Pressure Mpa[kgf/cm ²]
25A to 300A	0.74 [7.5]

Type of fluid	Fluid temperature	MAX working Pressure Mpa[kgf/cm ²]
Fuel oil	60°C or less	0.49 [5]
Lubricating oil	80°C or less	

Size	d	L	L1	Flange					H	Body				Filter cylinder			kg
				D	C	No.	h	t		H1	H2	H3	H4	D2	D4	H5	
125A	125	450	225	235	200	8	19	20	745	373	193	482	84	215	250	373	107
150A	150	470	235	265	230	8	19	22	825	410	231	540	101	225	265	427	154
200A	200	570	285	320	280	8	23	24	970	475	285	630	130	275	315	502	243
250A	250	700	350	385	345	12	23	25	1140	529	361	729	161	330	380	567	362
300A	300	800	400	430	390	12	23	28	1220	542	420	772	190	350	400	602	453