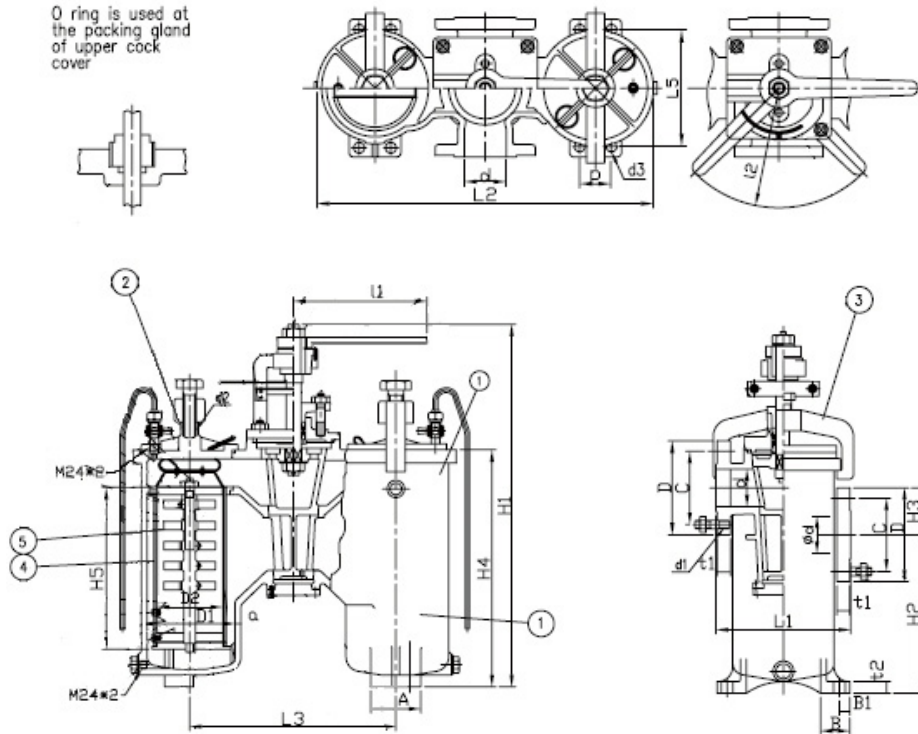




# MARINE CAST IRON DUPLEX OIL STRAINER - JIS F7208

O ring is used at the packing gland of upper cock cover



No.	Component	Material
1	Body	FC200
2	Cover	FC200
3	Cover yoke	S25C
4	Strainer cylinder	SS41
5	Magnet	Magnet steel

Hydraulic Inspection	Test Pressure Mpa[kgf/cm <sup>2</sup> ]	
	Body	Cock plug
	0.59[6.0]	0.43 [4.4]

Type of fluid	Fluid temperature	MAX working Pressure Mpa[kgf/cm <sup>2</sup> ]
Fuel oil	60°C or less	0.39 [4.0]
Lubricating oil	100°C or less	

Size	d	L1	L2	Flange					H1	Body & Cock						Strainer cylinder		kg
				D	C	No.	d1	t1		L3	H2	H3	H4	D1	I1	D2	H5	
50A	50	180	415	130	105	4	M12	17	515.5	260	219	66	322	120	170	95	225	46.1
65A	65	215	514	155	130	4	M12	18	660.5	324	272.5	85	405	150	200	120	290	82.2
80A	80	245	600	180	145	4	M16	20	684.5	380	312	102	470	175	250	140	337	131
100A	100	285	718	200	165	8	M16	20	816	456	371	126	565	210	300	165	408.5	201
125A	125	330	852	235	200	8	M16	20	952	544	430.5	157	670	250	350	195	485	320
150A	150	410	1046	265	230	8	M16	22	1299	680	516	201	818	300	370	230	580	565
200A	200	490	1250	320	280	8	M20	24	1520	820	645	245	1020	360	430	270	730	1183