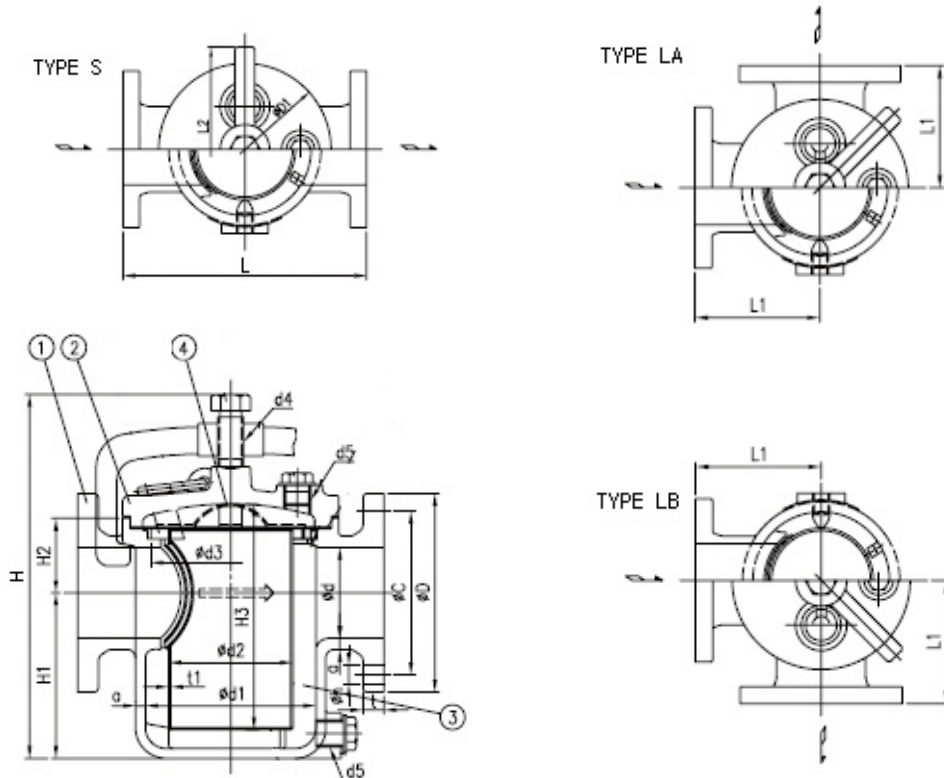




# MARINE CAST IRON CAN WATER FILTER - JIS F7121 (1) (dia. 25A to 100A)



No.	Component	Material
1	Body	FC200
2	Cover	FC200
3	Strainer Cylinder	SS41
4	Handle of strainer	SUP3 or SUS304

Nominal dia.	Test Pressure Mpa[kgf/cm <sup>2</sup> ]
25A to 400A	0.3 [3]

Fluid condition	MAX working pressure Mpa[kgf/cm <sup>2</sup> ]
	0.2 [2]

Size	d	L	L1	Flange					H	Body				Strainer cylinder			kg
				D	C	No.	h	t		a	d1	H1	H2	d2	d3	H3	
25A	25	170	85	95	75	4	12	14	180	7	70	75	34.5	50	68	100	5.88
32A	40	190	95	115	90	4	15	16	215	7	85	85	42	65	84	119	8.23
40A	40	190	95	120	95	4	15	16	215	7	85	85	42	65	84	119	8.43
50A	50	200	100	130	105	4	15	16	240	8	95	100	49	75	94	140	10.3
65A	65	250	125	155	130	4	15	18	305	9	130	135	59	100	125	184	18.5
80A	80	270	135	180	145	4	19	18	340	9	145	152	68	110	140	209	24.0
100A	100	320	160	200	165	8	19	20	400	10	175	185	80	130	160	251	35.7